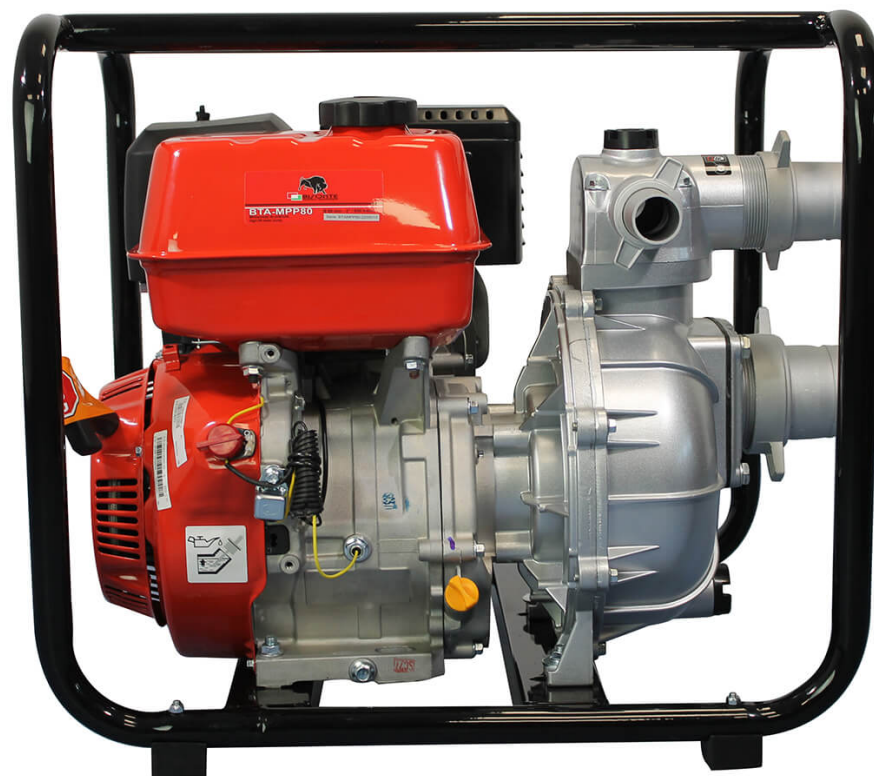


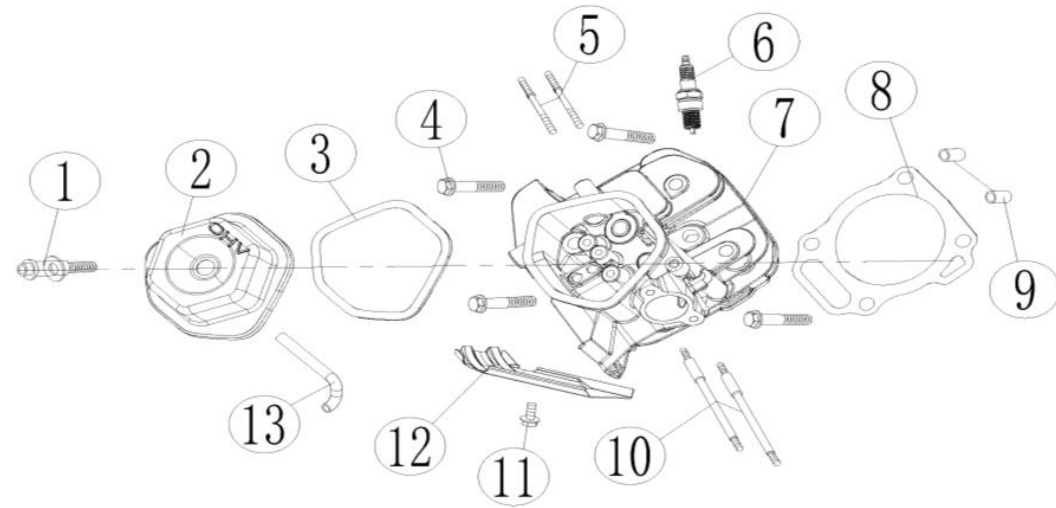
EXPLOZIE PIESE DE SCHIMB

Motopompa de presiune, BTA-MPP80

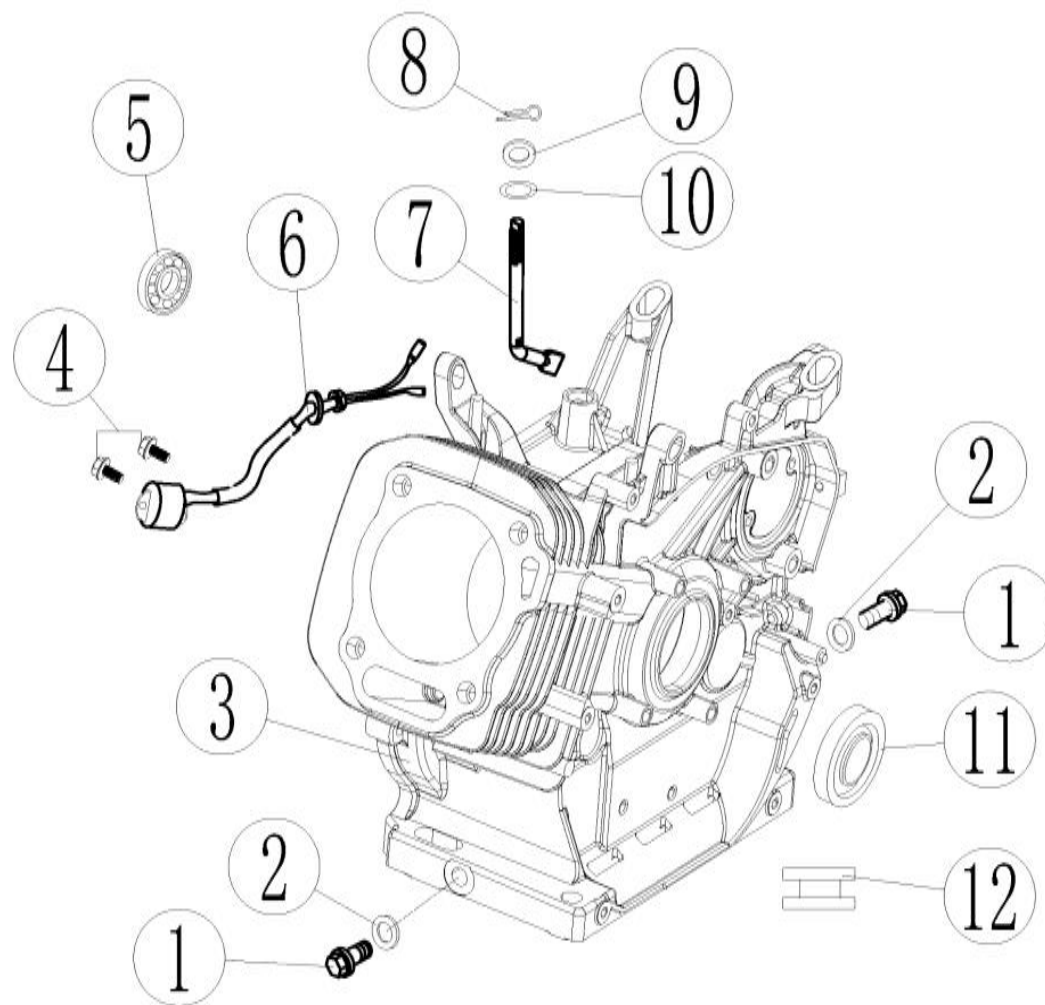


Cylinder head components

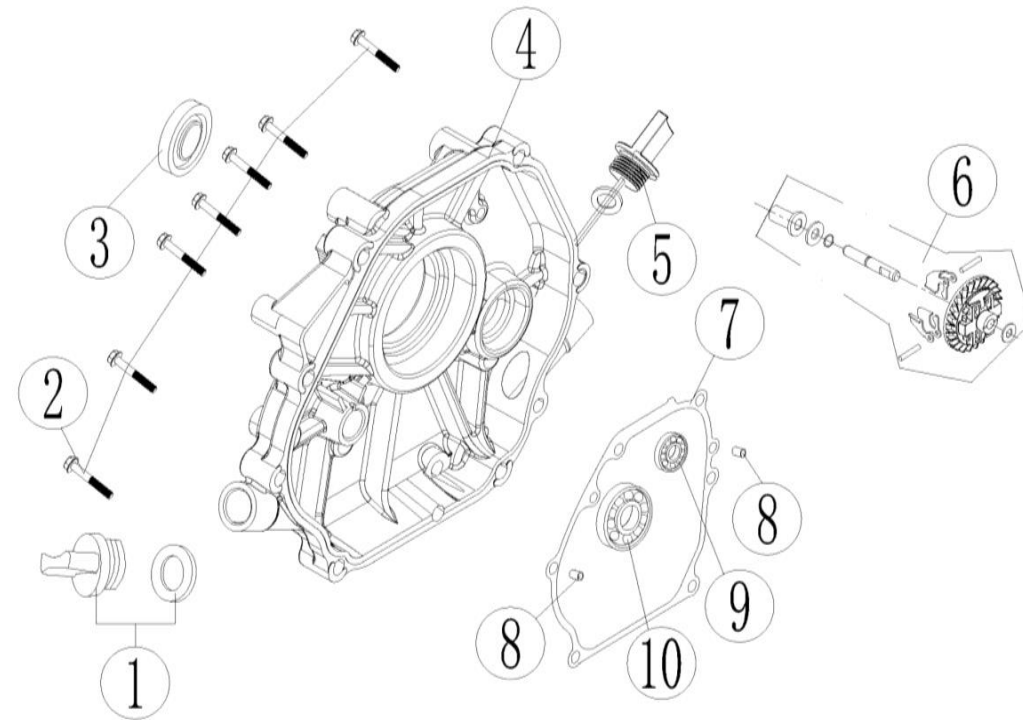
NO.	Part NO.	Description	
		English	
1	33580-00014-00	Special-shaped combination bolt/M6×60	1
2	20021-00004-00	Cylinder head assembly/188F	1
3	33048-00028-00	Cylinder head gasket/188F	1
4	30101-00506-00	Hexagonal flange bolt/M10×1.25/80	4
5	30110-00028-00	Exhaust stud bolt/M8×M8/48.5	2
6	20027-00011-00	Spark plug parts/188F/F7RTC	1
7	20023-00061-00	Cylinder head assembly/190F	1
8	33048-00034-00	Cylinder head gasket	1
9	34006-00007-00	Positioning pin/Φ10.4×Φ12×20	2
10	30110-00022-00	Air intake stud bolt/M6×M8/135	2
11	34021-00001-00	Windshield/188F/cylinder head	1
12	30101-00070-00	Hexagonal flange bolt/M6×1/12	1
13	34023-00020-00	Exhaust pipe/Φ10*Φ15*110	1



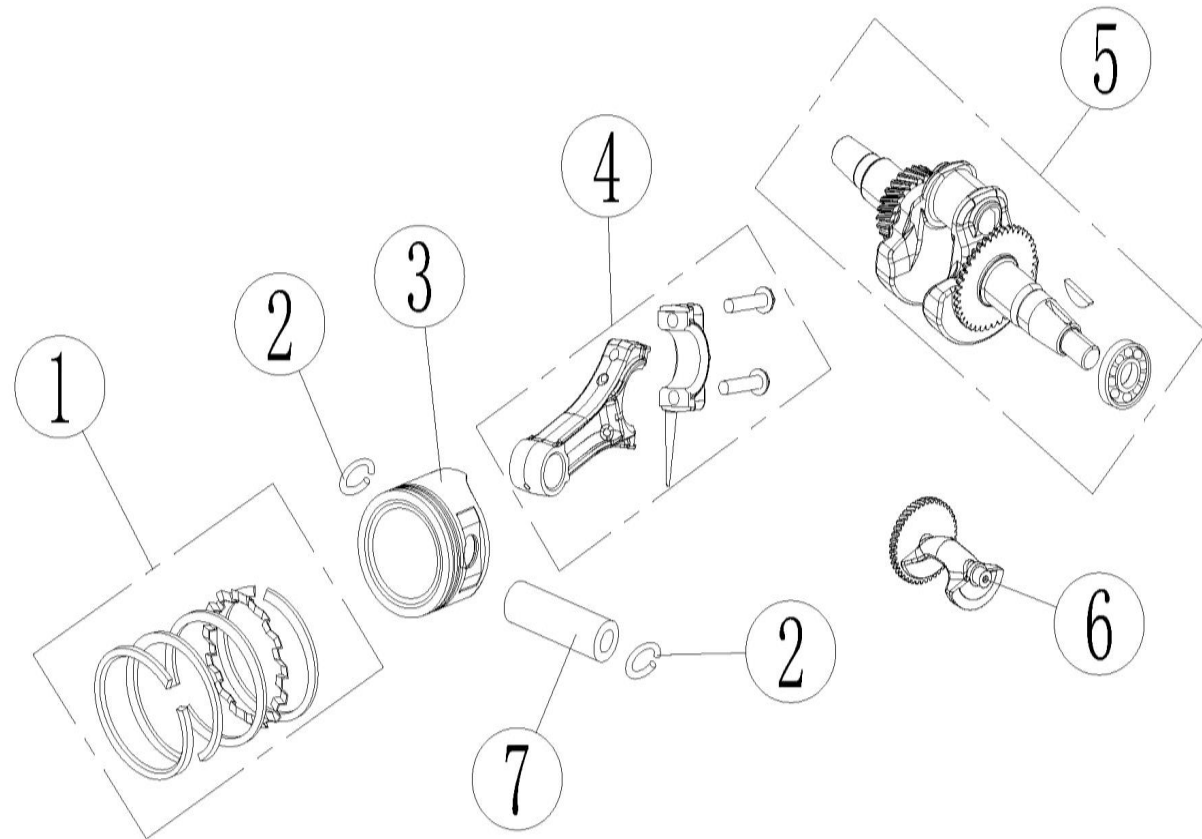
Crankcase		
NO.	Part NO.	English
1	30101-00514-00	Hexagonal flange bolt/M12x1.5/16
2	30136-00080-00	Aluminum gasket/ $\Phi 12 \times \Phi 20 \times 2$
3	34011-00019-00	Crankcase/188FD
4	30101-00342-00	Hexagonal flange bolt/M6x1/16
5	30141-00112-00	Deep groove ball bearing/6202-P6
6	33247-00027-00	Oil sensor/188F
7	34026-00005-01	Speed control lever/188F
8	34006-00017-00	Positioning pin lock clip/ $\Phi 1.2 \times 8$
9	30136-00095-00	Swing bar gasket/ $\Phi 8 \times \Phi 17 \times 1.0$
10	34007-00002-00	Oil seal/ $\Phi 8 \times \Phi 14 \times 4$ /for speed control lever
11	34007-00012-00	Oil seal/ $\Phi 35 \times \Phi 52 \times 8$
12	33036-00044-00	Rubber fixing block/20x22



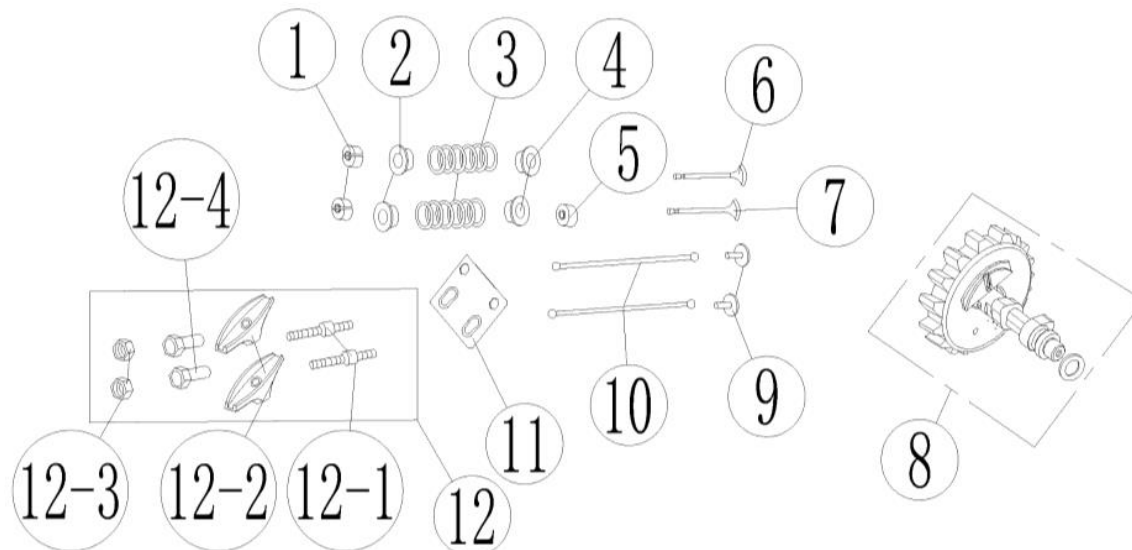
Crankcase cover			
NO.	Part NO.	Description	
		English	
1	20026-00019-00	Oil plug assembly/M20×P2.5	1
2	30101-00370-00	Hexagonal flange bolt/M8×1.25/40	7
3	34007-00012-00	Oil seal/Φ35×Φ52×8	1
4	33129-00015-00	Crankcase cover/188F	1
5	20026-00005-00	Oil dipstick assembly/nylon 6/M20×P2.5/L:55	1
6	20013-00004-00	Speed regulating gear assembly/188F	1
7	33048-00063-00	Crankcase cover gasket	1
8	34006-00001-00	Positioning pin/Φ8×Φ6.4×12	2
9	30141-00116-00	Deep groove ball bearing/6207	1
10	30141-00112-00	Deep groove ball bearing/6202-P6	1



Piston			
NO.	Part NO.	English	QTY (P)
		1	
2	30150-00023-00	Piston pin snap ring	2
3	34004-00016-00	piston	1
4	20008-00008-00	Connecting rod assembly	1
5	20011-00089-00	crankshaft assembly	1
6	34033-00001-00	Balance shaft assembly	1
7	34006-00015-00	Piston pin	1

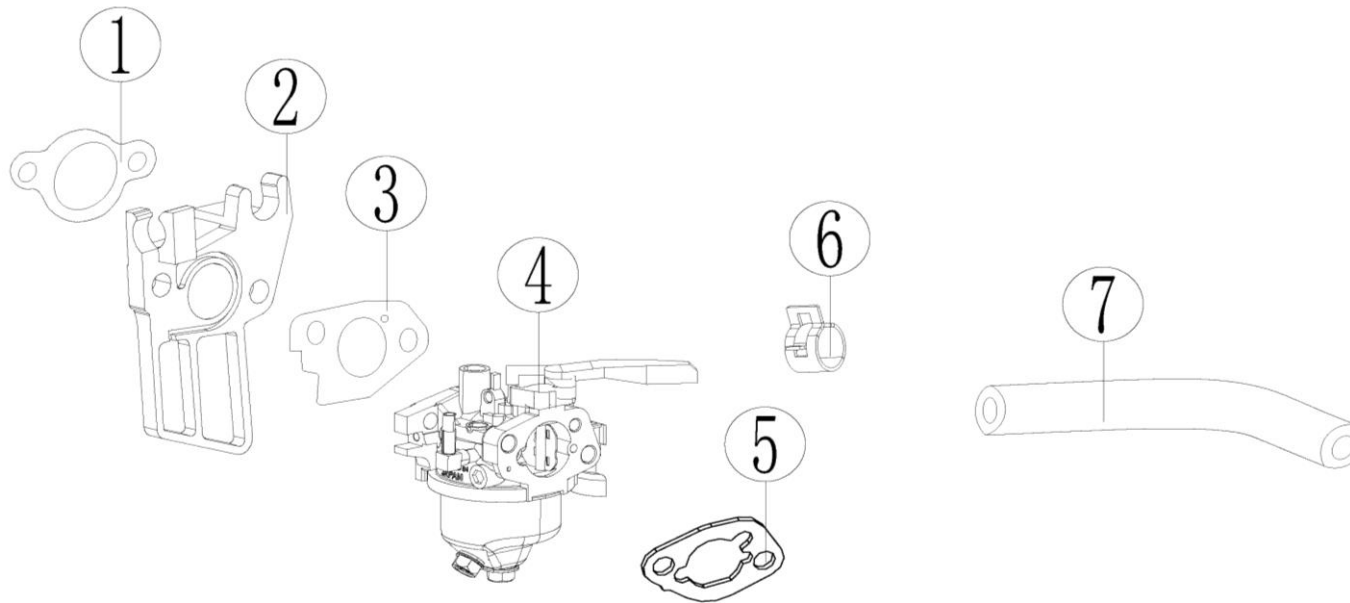


Camshaft			
NO.	Part NO.	English	QTY (PC)
		1	
2	34016-00005-00	Valve spring seat	2
3	34015-00023-00	valve spring	2
4	34016-00008-00	Exhaust valve spring lower seat	2
5	34007-00001-00	Intake valve oil shield	1
6	34013-00080-00	intake valve	1
7	34013-00034-00	exhaust valve	1
8	20012-00017-00	Camshaft assembly	1
9	34008-00006-00	valve hold	2
10	34020-00010-00	valve pushrod	2
11	34017-00008-00	Push rod guide	1
12	34019-00075-00	Valve rocker arm assembly	2
12-1	30110-00033-00	Rocker shaft bolt	2
12-2	34019-00005-00	valve rocker arm	2
12-3	30121-00034-00	Hex nut	2
12-4	30134-00005-00	rocker arm shaft	2



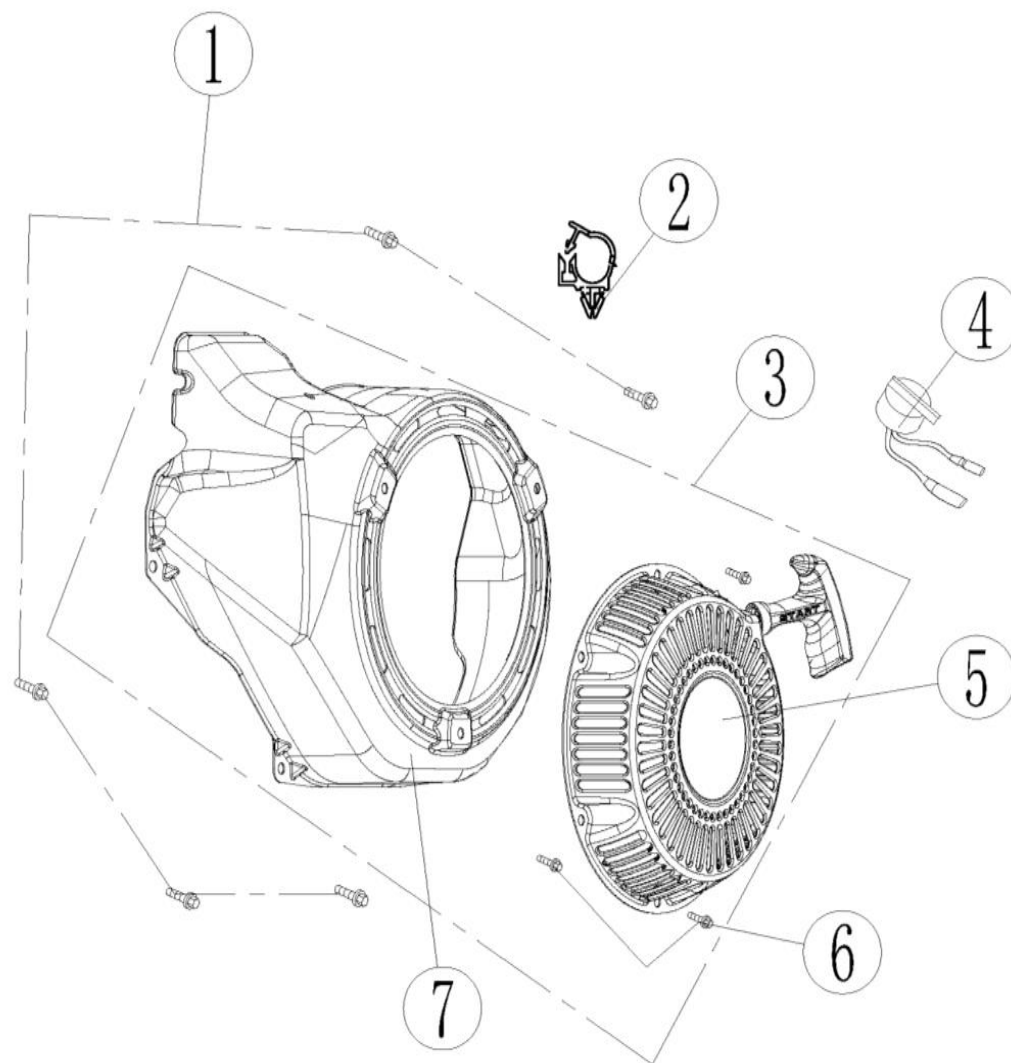
carburetor

NO.	Part NO.	English	QTY (PC)
		1	
2	34012-00014-00	carburetor connecting block	1
3	33048-00078-00	carburetor gasket	1
4	20024-00382-00	carburetor assembly	1
5	33048-00082-00	Air filter gasket	1
6	34024-00002-00	Clamp B8	1
7	34023-00004-00	Fuel pipe/ $\varphi 4.5 \times \varphi 8.5$	0,235

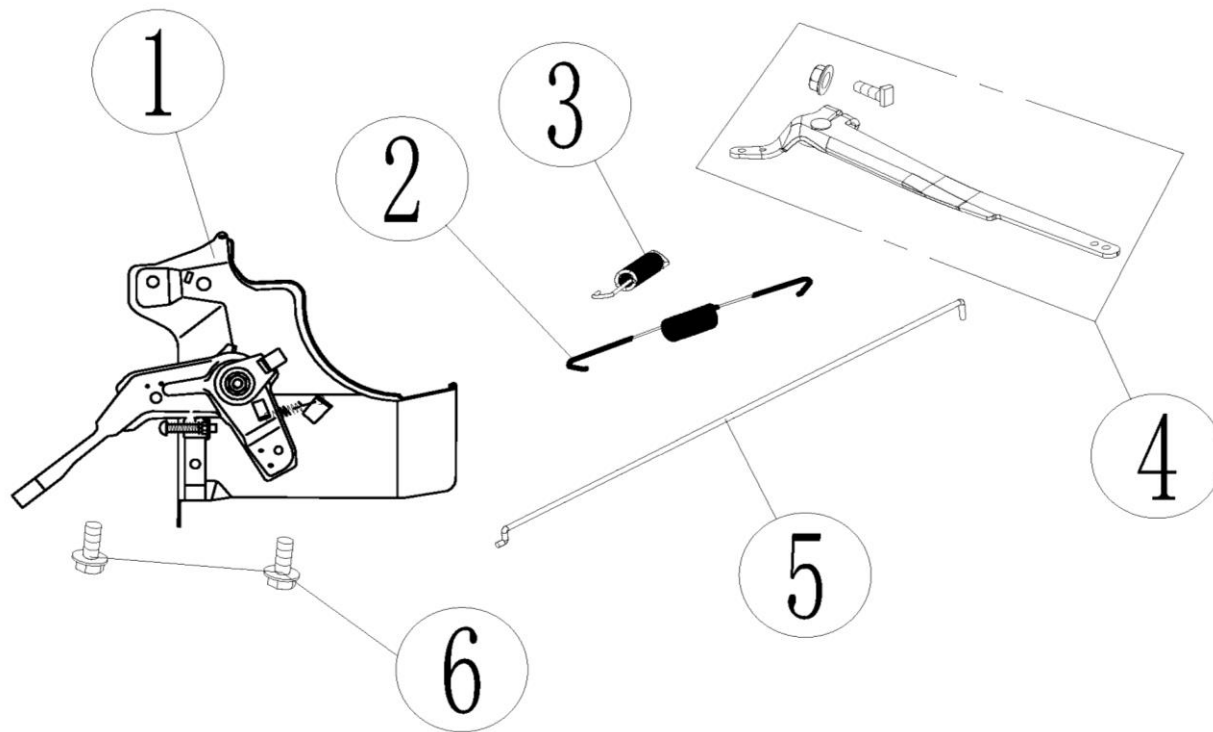


Recoil

NO.	Part NO.	English	QTY (PC)
		1	
2	34024-00009-00	Line card/Φ9.5×Φ13/PA6	1
3	20010-00069-25	Recoil starter assembly	1
4	31026-00057-00	kill switch	1
5		pull plate	1
6	30101-00041-00	Hexagonal flange bolt/M6*1*10	3
7		Recoil starter cover	1

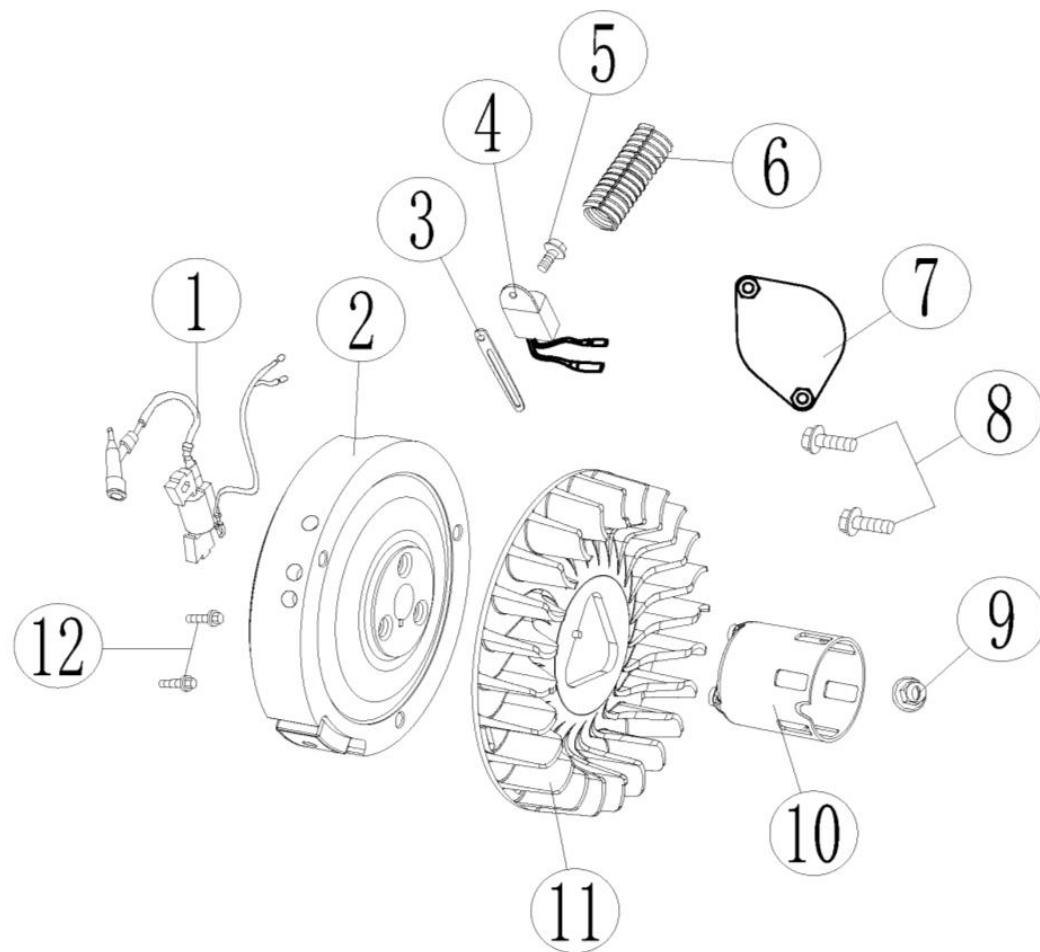


Speed controller			
NO.	Part NO.	English	QTY (PC)
		1	
2	34015-00010-00	fine adjustment spring	1
3	34015-00020-00	return spring	1
4	34025-00007-00	Speed control arm parts	1
5	34026-00008-00	speed control lever	1
6	30101-00070-00	Hexagonal flange bolt/M6x1/12	2

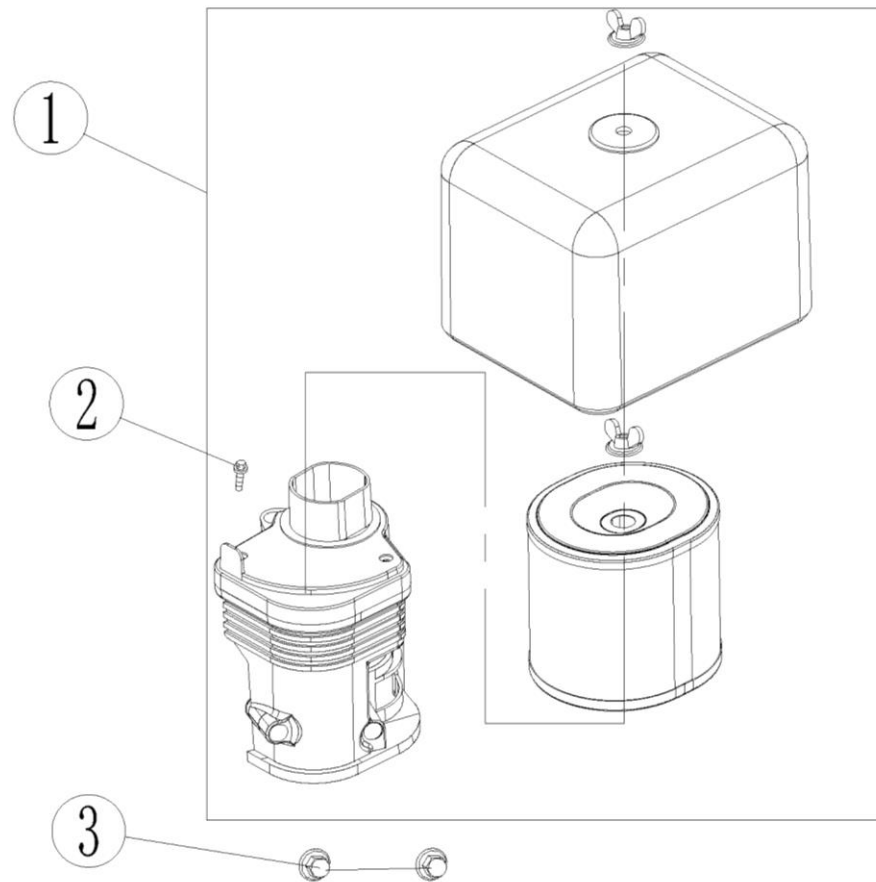


Flywheel

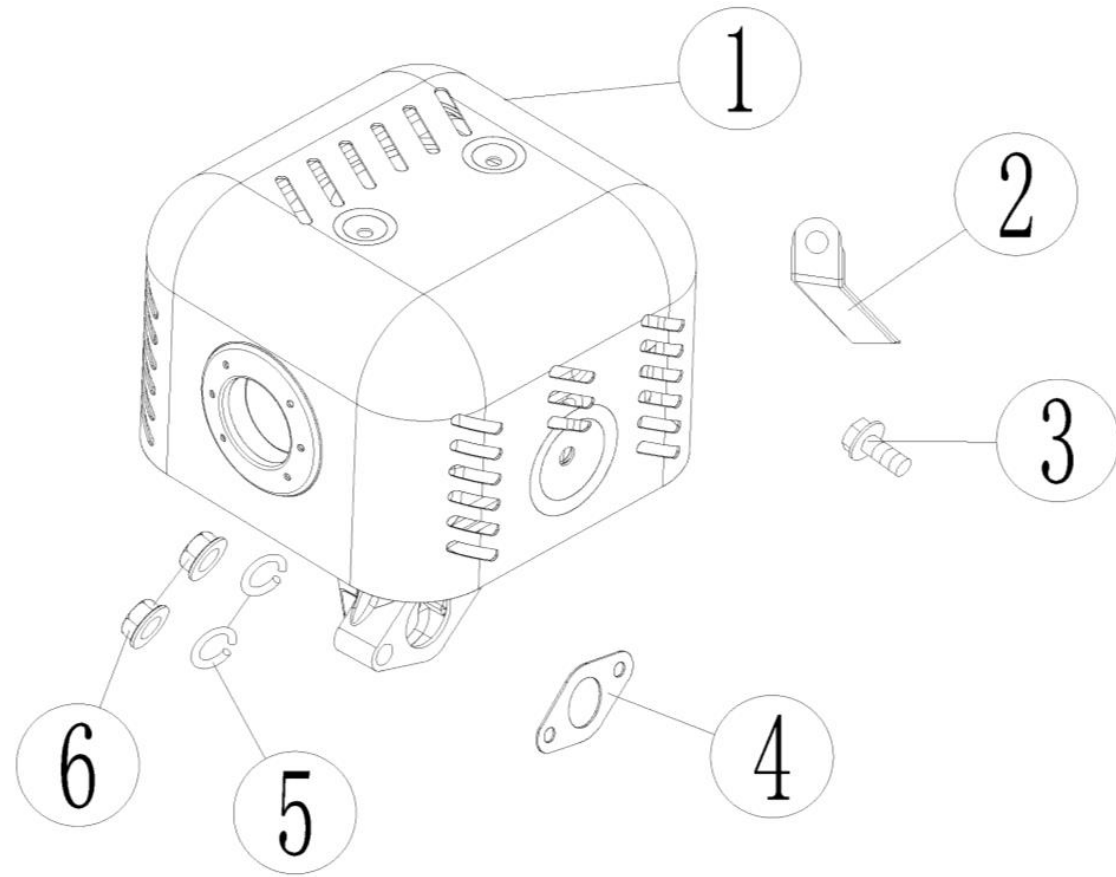
NO	Part NO.	English	QTY (PC)
		1	
2	33099-00047-00	Flywheel/188F/21°	1
3	34024-00004-00	Metal wire clip/Φ6.5×10×100×0.7	1
4	33246-00002-00	Oil alarm/second line	1
5	30101-00070-00	Hexagonal flange bolt/M6×1/12	1
6	40052-00021-00	Bellows/inner diameter Φ15.5	0.05m
7	34021-00083-00	wind deflector	1
8	30101-00098-00	Hexagonal flange bolt/M8×1.25/25	2
9	30125-00064-00	Hexagonal flange nut/M16×1.5	1
10	34022-00028-00	Startup Cup/188/Φ66x71	1
11	33155-00042-00	fan	1
12	30101-00408-00	Hexagonal flange bolt/M6×1.25/25	2



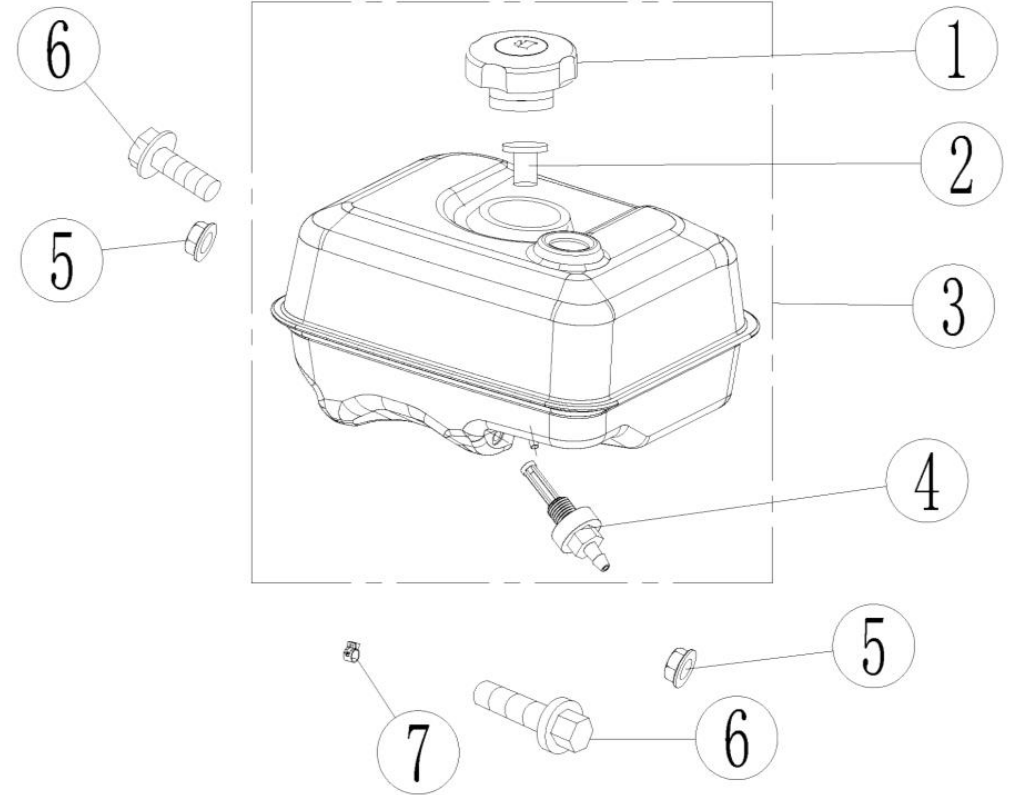
Air filter			
NO.	Part NO.	English	QTY (PC)
		1	
2	30101-00042-00	Hexagonal flange bolt/M6×1/20	1
3	30125-00002-00	Hexagonal flange nut/M6×1.0	2



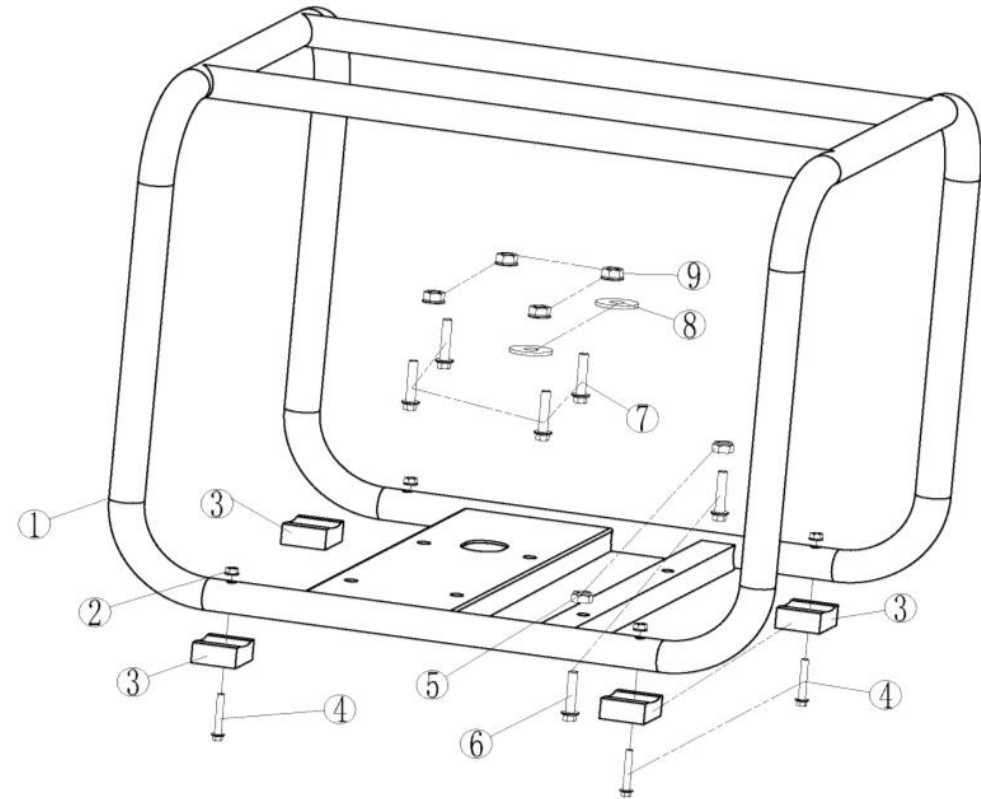
Muffler parts			
NO.	Part NO.	English	QTY (P C)
		1	
2	20014-00089-00	Muffler bracket/SC420	1
3	30101-00400-00	Hexagonal flange bolt/M6x1/14	
4	33048-00095-00	Muffler gasket/graphite/168F	1
5	30139-00037-00	Spring washer/Φ8.5	2
6	30121-00040-00	Hexagonal nut/M8x1.25	2



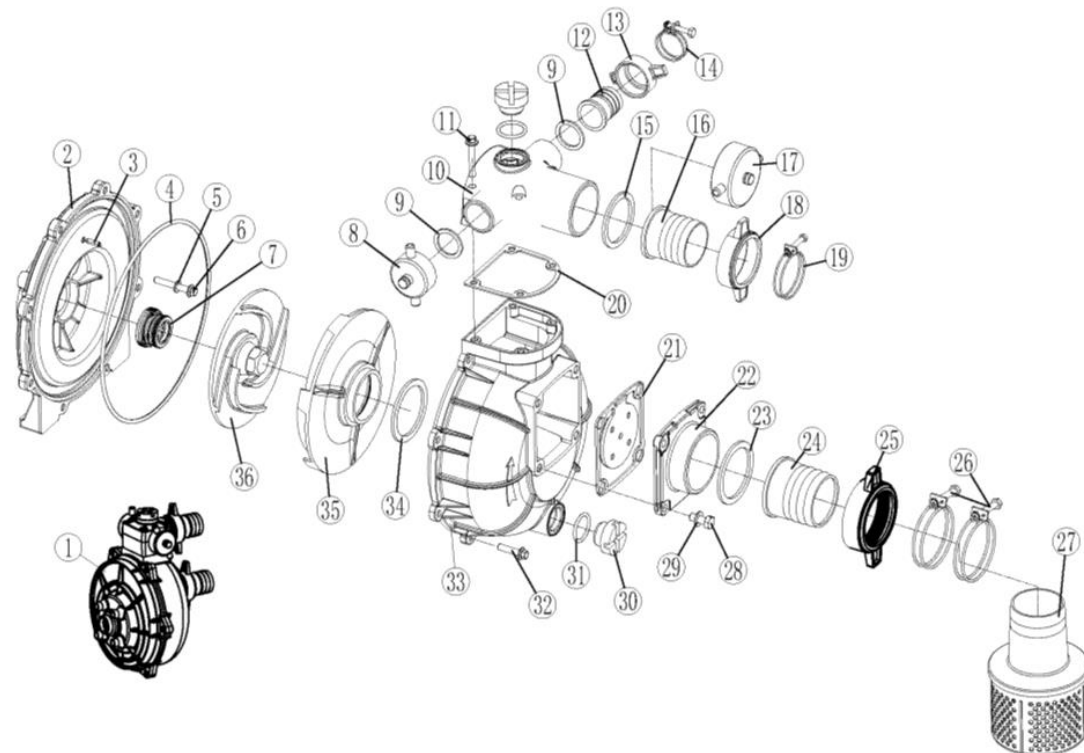
tank			
NO.	Part NO.	English	QTY (PC)
1	20131-00020-00	fuel tank cap	1
2	34037-00065-00	Fuel tank filter	1
3	20130-00028-16	fuel tank assembly	1
4	70010-00542-00	Grease spout	1
5	30125-00003-00	Hexagonal flange nut/M8x1.25	2
6	30101-00098-00	Hexagonal flange bolt/M8x1.25/25	2
7	34024-00002-00	Clamp/B8	1



frame			
NO.	Part NO.	English	QTY (PC)
1	20090-00804-00	rack components	1
2	30128-00011-00	Nylon nut/M6	4
3	34030-00066-00	Shock absorbing rubber pad	4
4	30114-00019-00	Hexagon socket pan head bolt/M6×1/45	4
5	30125-00003-00	Hexagonal flange nut/M8×1.25	2
6	30101-00098-00	Hexagonal flange bolt/M8×1.25/25	2
7	30101-00495-00	Hexagonal flange bolt/M10×1.25/40	4
8	30136-00123-00	Flat washer/Φ10×Φ30×2.5	2
9	30125-00027-00	Hexagonal flange nut/M10×1.25	4



pump			
NO.	Part NO.	English	QTY
1	20100-00111-00	High lift water pump/3 inches	1
2	70010-00962-00	base assembly	1
3	34006-00299-00	Blade cover positioning pin $\phi 6 \times 23.5$	1
4	30152-00215-00	the junction between the base and the pur	1
5	30136-00497-00	Aluminum gasket- $\phi 8.5 \times \phi 16 \times 1.5$	4
6	30101-00376-00	Hexagonal flange bolt M8x1.25x50	4
7	70010-00963-00	Water seal/mechanical seal/3-inch high lift	1
8	70003-03254-00	1.5 inch nut plug/G thread	2
9	70003-03256-00	Pipe joint gasket-1.5 inches	2
10	70010-00969-00	Three-way water outlet	1
11	30101-00381-00	Hexagonal flange bolt M8x1.25x70	4
12	33001-00039-00	Pipe joint-1.5 inches	2
13	70003-00849-00	Wrench pressure cap-1.5 inch/G thread	2
14	34024-00042-00	Clamp-1.5 inches	2
15	33275-00223-00	Pipe joint gasket-2.5 inches	1
16	33001-00409-00	Pipe joint-2.5 inches	1
17	70010-03224-00	2.5 inch nut plug/G thread	1
18	70010-03225-00	Wrench pressure cap-2.5 inch/G thread	1
19	34024-00265-00	Clamp-2.5 inches	1
20	70010-00970-00	Water outlet gasket	1
21	70010-00966-00	Check valve-3 inches high lift	1
22	70010-00967-00	Water inlet/3 inches/G thread	1



23	33275-00224-00	Pipe joint gasket-3 inches	1
24	70010-00393-00	Pipe joint-3 inches	1
25	70010-00968-00	Wrench pressure cap-3 inch/G thread	1
26	34024-00266-00	Clamp-3 inches	1
27	34037-00365-00	Filter components	1
28	30101-00118-00	Hexagon head bolt/M10×1.5×25	4
29	30136-00010-00	Flat washerφ10×φ20×1.5	4
30	70010-02907-00	Screw plug-3 inches high lift	2
31	70010-02908-00	Plug seal-3 inches high lift	2
32	30101-00098-00	Hexagonal flange bolt/M8×1.25×25	8
33	70010-00971-00	Water pump body-3 inches high lift	1
34	30152-00214-00	O-ring-blade cover seal	1
35	70010-00965-00	Blade cover-3 inches high lift	1
36	70010-01027-00	Impeller-3 inch high lift/W axis	1



accessories			
NO.	Part NO.	English	QTY (PC)
		1	
2	70003-00909-00	Open-end wrench/8~10/white zinc	1
3	70003-00858-00	Hexagonal wrench/4/L shape	1
4	70003-00868-00	Booster rod ϕ 7*131	1
5	52006-00025-00	tool bag	1

